

Geolux RSS-2-300 Radar Speed Sensor

K-BAND RADAR SENSOR FOR TRAFFIC MONITORING AND LAW ENFORCEMENT

PRODUCT FEATURES

- Compact, low-power design
- Wide input voltage range, suitable for solar applications
- Supports variety of communication interfaces (RS-232, RS-485, CAN, Alarm open-drain outputs)
- IP66 enclosure suitable for outdoor applications and harsh environments
- K-band 24.125 GHz or 24.200 GHz option for worldwide operation
- Advanced phyTrack object tracking algorithm
- Detail statistics for monitored objects
- Configurable incoming, outgoing or both objects detection with statistics accumulation for selected directions
- Customizable communication protocols
- PC application for radar setup, live monitoring and statistics analyzing
- Easy pole, wall or enclosure mounting
- Optional OEM embedded module available
- Optional GPRS communication module
- Optional camera integration
- FCC & CE approved:
 - EN 50293:2000,
 - EN 61000-6-2, EN 61000-6-4:2007,
 - EN 61000-3-2:2006+A1:2009+A2:2009,
 - EN 61000-3-3:2008,
 - EN 300 440-1, EN 300 440-2,
 - FCC Part 15 Subpart C

INTRODUCTION

Geolux RSS-2-300 is a Doppler radar speed sensor operating in K-band, enhanced with advanced phyTrack vehicle detection and tracking algorithm.

Designed for traffic applications, RSS-2-300 radar sensor reports a list of all currently detected vehicles up to 20 times per second over serial or CAN interface. RSS-2-300 sensor supports ASCII-S and GLX-NMEA serial interface data protocols, and support for more protocols can be added on customer request.

Field-proven Geolux RSS-2-300 radar sensor is certified according to both European and American standards, which makes it an ideal solution for our partners that operate globally.

Advanced phyTrack vehicle detection and tracking algorithm analyzes detected vehicle speeds in real time, and extracts precise target statistics data such as total vehicle count, average speed and road utilization.

Geolux RSS-2-300 radar sensor is available both in IP66 enclosure ready for on-site setup, and as OEM module ready for integration in your product.

PRODUCT SPECIFICATION

GENERAL

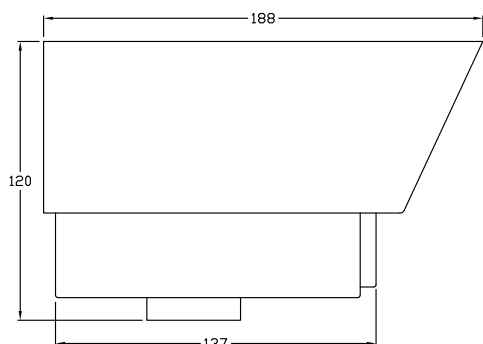
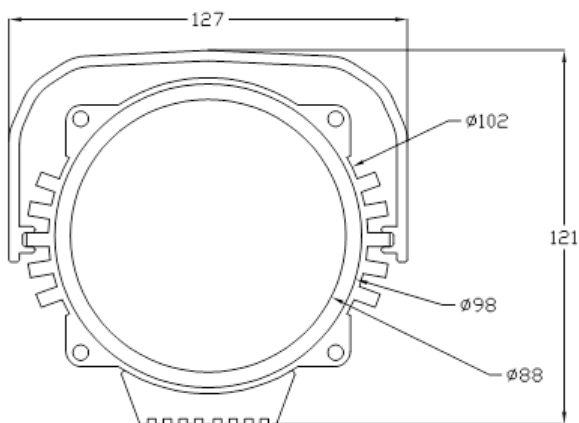
Radar Type	K-band 24.125GHz/24.200GHz Doppler radar, 27 dBm EIRP
Beam Angle	12° Azimuth, 24° Elevation
Detection Distance	500 m
Speed Range	5 km/h to 336 km/h
IP Rating	IP66

INTERFACE

Serial Interface	1 x serial RS-485 half-duplex 1 x serial RS-232 (two wire interface)
Serial Baud Rate	1200 bps to 115200 bps
Serial Protocols	ASCII-S, GLX-NMEA
CAN Interface	Up to 1Mbps CAN2.0
Alarm Outputs	2 x open collector, max 50V 200mA
Expansion Port	1 x general purpose 16-pin for custom expansion modules

ELECTRICAL

Power Input	9 to 22 VDC
Power Consumption	< 1,35W (typical 1,0W)
Maximal Current	< 250 mA
Temperature Range	-40°C to +85°C (without heating or coolers)
Module Dimensions	65mm x 65mm x 25mm
Enclosure Dimensions	127 mm x 121 mm x 188 mm



Geolux d.o.o.
Ljudevita Gaja 62
Samobor
HR-10430
Croatia

www.geolux.hr

geolux@geolux.hr